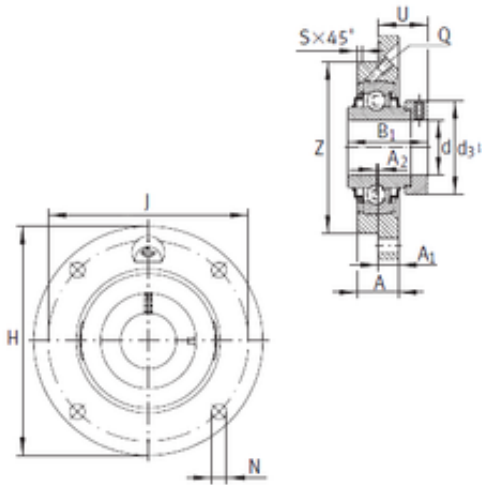




# LLC NTN-SNR BEARINGS RUS

## INA RME060 Flange-Mount Ball Bearing Units



Bearing No. RME060

Bore Diameter	60 mm
d	60 mm
U	47,9 mm
Thread (Q)	Rp1/8
Z	160 mm
d3	89 mm
A	36 mm
A1	22 mm
B1	68,4 mm
H	256 mm
J	212 mm
N	23 mm
S	3 mm
A2	2,5 mm
Weight	6 Kg
Basic dynamic load rating (C)	82 kN
Category	Flange Block Bearings
Inventory	0.0
Manufacturer Name	SCHAEFFLER GROUP
Minimum Buy Quantity	N/A
Weight / Kilogram	9.588
Product Group	M06110
Number of Mounting Holes	4
Mounting Method	Eccentric Collar
Housing Style	4 Bolt Round Flange Cartridge

RME060 Bearing 2D drawings and 3D CAD models



## LLC NTN-SNR BEARINGS RUS

Rolling Element	Ball Bearing
Housing Material	Cast Iron
Expansion / Non-expansion	Non-expansion
Mounting Bolts	23 Millimeter
Relubricatable	Yes
Insert Part Number	GNE60KRRB
Seals	Double Land Riding Rubber Contact
Housing Configuration	1 Piece Solid
Pilot Configuration	With Pilot
Inch - Metric	Metric
Long Description	4 Bolt Round Flange Cartridge; 60MM Bore; 211MM Bolt Circle; 149.9MM Bolt Spacing; 1 Piece Solid; Eccentric Collar Mount; Cast Iron; Ball Bearing; 68.4MM Length Thru Bore; Relubricatable; Double Land
Other Features	Single Row   Centering Spigot   With Set Screw
Category	Flange Block
UNSPSC	31171501
Harmonized Tariff Code	8483.20.40.40
Noun	Bearing
Keyword String	Flanged
Manufacturer URL	<a href="http://www.ina.com">http://www.ina.com</a>
Manufacturer Item Number	RME060
Weight / LBS	13.23
Nominal Bolt Circle Diameter Round	8.3 Inch   211 Millimeter
Length Thru Bore	2.693 Inch   68.4 Millimeter
Bore	2.362 Inch   60 Millimeter
Cartridge Pilot Diameter	6.299 Inch   160 Millimeter
Bolt Spacing	5.9 Inch   149.9 Millimeter



## LLC NTN-SNR BEARINGS RUS

Cartridge Pilot Depth	0.433 Inch   11 Millimeter
-----------------------	----------------------------