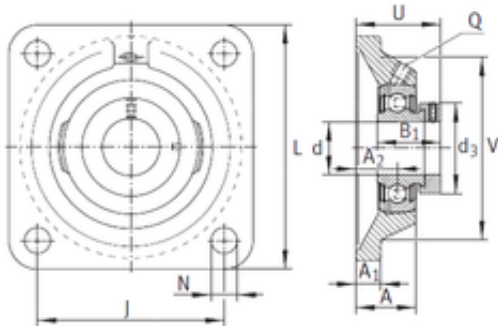




# LLC NTN-SNR BEARINGS RUS

## INA PCJ25-N Flange-Mount Ball Bearing Units



Bearing No. PCJ25-N

Bore Diameter	25 mm
d	25 mm
V	74 mm
U	42,5 mm
Thread (Q)	Rp1/8
d3	37,5 mm
A	29 mm
A1	11 mm
B1	31 mm
J	70 mm
L	95 mm
N	11,5 mm
A2	19 mm
Weight	0,76 Kg
Basic dynamic load rating (C)	14 kN
Category	Flange Block Bearings
Inventory	0.0
Manufacturer Name	SCHAEFFLER GROUP
Minimum Buy Quantity	N/A
Weight / Kilogram	0.91
EAN	4012802809473
Product Group	M06110
Number of Mounting Holes	4
Mounting Method	Eccentric Collar
Housing Style	4 Bolt Square Flange Block
Rolling Element	Ball Bearing

PCJ25-N Bearing 2D drawings and 3D CAD models



## LLC NTN-SNR BEARINGS RUS

Housing Material	Cast Iron
Expansion / Non-expansion	Non-expansion
Mounting Bolts	11.5 Millimeter
Relubricatable	Yes
Insert Part Number	GRAE25NPPB
Seals	Double Lip Contact
Housing Configuration	1 Piece Solid
Pilot Configuration	No Pilot
Inch - Metric	Metric
Long Description	4 Bolt Square Flange Block; 25MM Bore; 99MM Bolt Circle; 70MM Bolt Spacing; 1 Piece Solid; Eccentric Collar Mount; Cast Iron; Ball Bearing; 31MM Length Thru Bore; Relubricatable; Double Lip Contact Se
Other Features	Single Row   With Set Screw
Category	Flange Block
UNSPSC	31171501
Harmonized Tariff Code	8483.20.40.40
Noun	Bearing
Keyword String	Flanged
Manufacturer URL	<a href="http://www.ina.com">http://www.ina.com</a>
Manufacturer Item Number	PCJ25N
Weight / LBS	1.985
Length Thru Bore	1.22 Inch   31 Millimeter
Bore	0.984 Inch   25 Millimeter
Cartridge Pilot Diameter	0 Inch   0 Millimeter
Nominal Bolt Circle Diameter Round	3.9 Inch   99 Millimeter
Bolt Spacing	2.756 Inch   70 Millimeter
Cartridge Pilot Depth	0 Inch   0 Millimeter